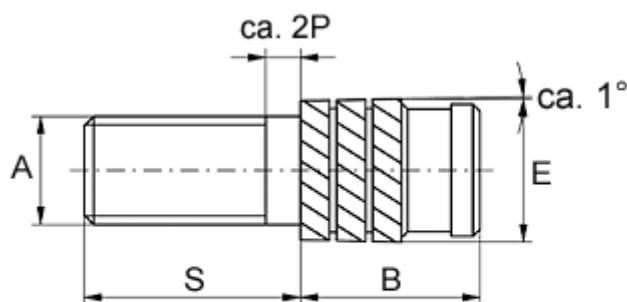


# Data Sheet



Article number: 12856000025820  
Description: KLEE-coil 856 000 025.820  
M2,5 Brass

## Measures



Gevindlængde =  $S - 2P$   
P = stigning

Male thread A	= M2,5x0,45
Min distance to edge	= 2.0
Mounting length B	= 5.3
Outer diameter E	= 4.20
Pin length S	= 6
Recommended bore diameter	= 3.8
Type	= 856 000 025.820